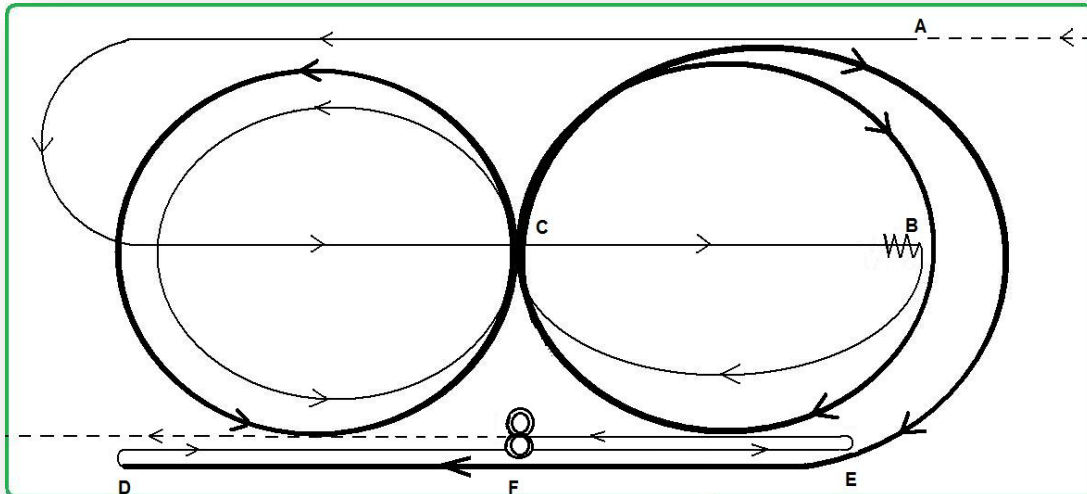


Round 1. Dry Working Pattern

Competitor: _____ Horse: _____



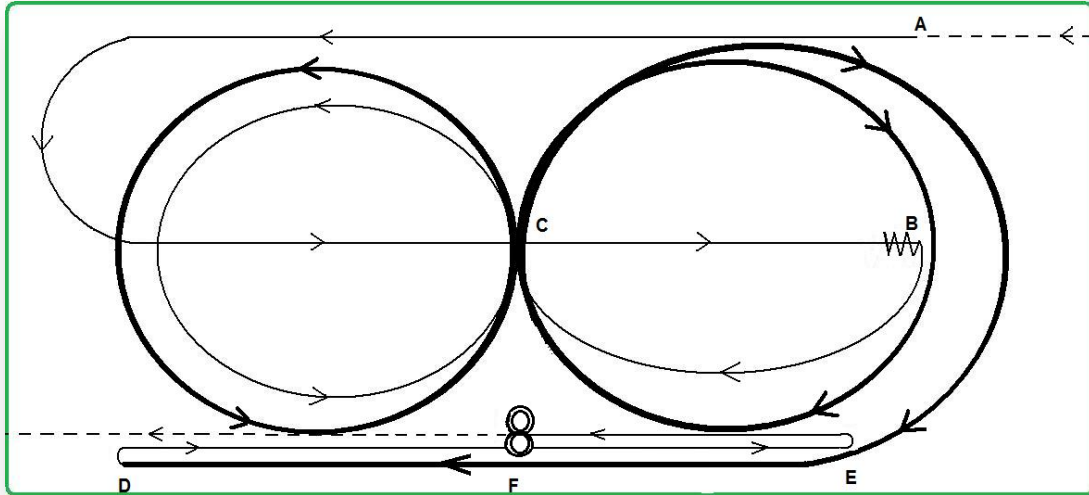
		Possible points	Allocated points
1.	Enter arena at walk At A strike left canter lead	10	
2.	Canter straight line, track left and continue straight down centre line to B	10	
3.	At B stop, settle rein back 6 meters	10	
4.	Strike right canter lead continue at slow canter 1/2 circle to C At C gallop circle right.	10	
5.	At C flying change track left	10	
6.	Slow canter circle to the left At C gallop circle to the left	10	
7.	At C flying change track right gallop around working area to D.	10	
8.	At D stop and without hesitation do a 180 degree turn to the right.	10	
9.	Continue at canter to E, At E stop and without hesitation do a 180 degree turn to the left.	10	
10.	Continue at canter to F stop, settle	10	
11.	Do 2 x 360 degree spin to the right, stop Do 2 x 360 degree spin to the left, stop	10	
12.	Walk to D on light rein contact, leave the arena.	10	
13.	Overall impression and Presentation	10	
	TOTAL	130	
	Score as a percentage	100	%

Proudly Sponsored by



Round 1. Dry Working Pattern

Competitor: _____ Horse: _____



Proudly Sponsored by

